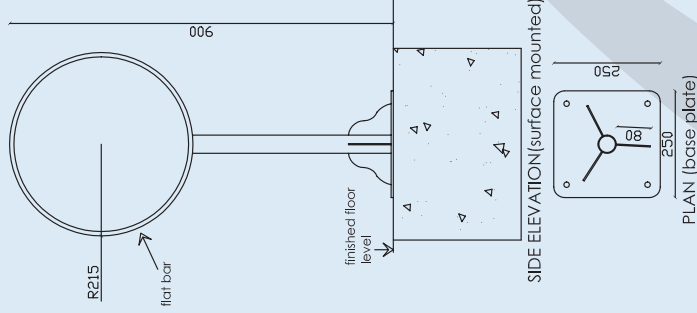
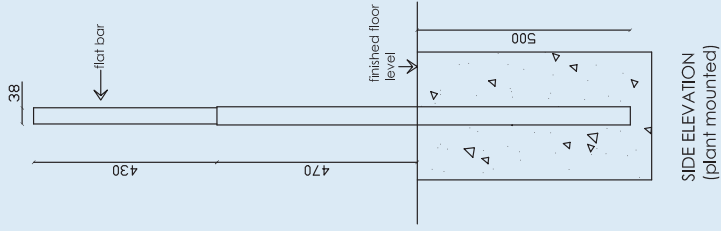
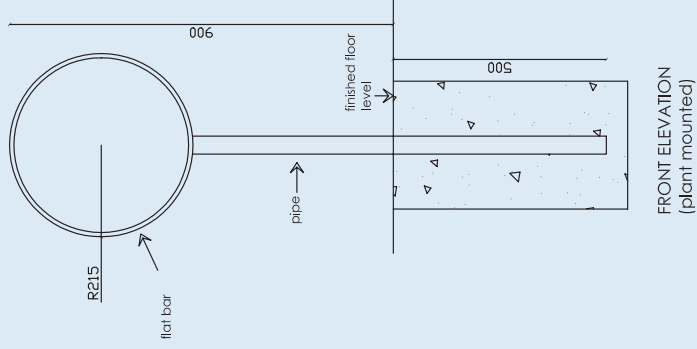




**Type C Cycle Stand**

©Copyright of this drawing is the sole property of Fel. Group Ltd.

**Cycle Stands**



**Product Specifications**

- Hot Dip Galvanised to AZ/NZ 4680 (1999) Standard
- Exterior Polyester Powder Coat Finish
- Electropolished 316 Stainless Steel