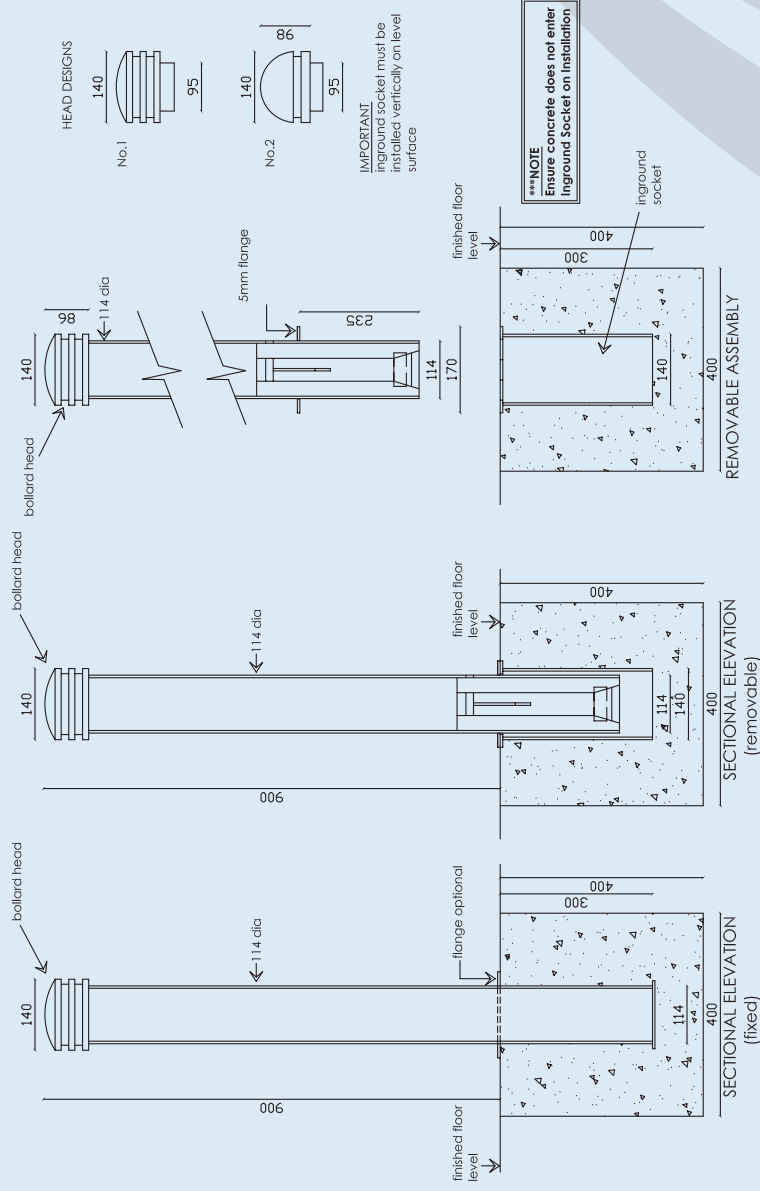


Bollard

©Copyright of this drawing is the sole property of Fel. Group Ltd.



Product Specifications

- Exterior Grade Polyester Powder Coat Finish
- Cast Aluminum Heads
- Hot Dip Galvanised to AS/NZS 4680 (1999) Standard
- Mild Steel or Stainless Steel Pipe