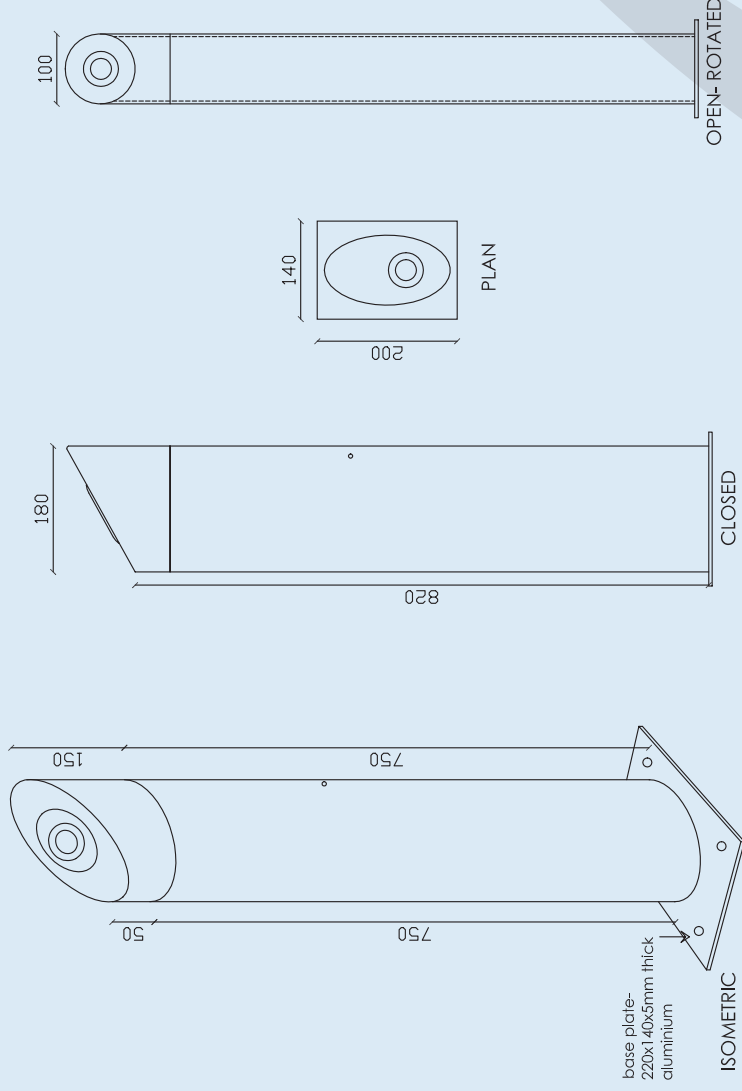


FS - Exterior Ashtray

©Copyright of this drawing is the sole property of Fel. Group Ltd.

Ashtrays



Product Specifications

- All Aluminum Construction
- Exterior Grade Polyester Powder Coat Finish
- Stainless Steel Lock Assembly
- Fasteners Stainless Steel